

MILLAT Forklift Truck

Model FD30M1 - 3 Ton Capacity



Millat Forklift Trucks are being manufactured at Millat Tractors Limited based on HELI (China) technology and powered by world renowned Millat D3.1524 engine manufactured under Perkins technology.

Salient Features:

- ✓ Low cost of ownership, low cost of operation and high quality are the key features of our FD30M1 Forklift Truck.
- ✓ The controls are simple and conveniently placed so the driver's concentration can be on the job and not on mastering the machine.
- ✓ The hydraulic levers give positive "feel" of the hoist and tilt function to aid precise load control.
- ✓ The Millat D3.1524 engine fitted is the most economical, highly efficient and requires minimum maintenance with easy availability of parts even in remote areas of Pakistan.
- ✓ Millat Tractors Limited ensures to provide prompt after-sales service to its valued customers.

For further details and technical advice please contact Industrial Products Division, Millat Tractors Limited.



Standard Specifications

Characteristics	Manufacturer		Millat Tractors Limited		
	Model		FD30M1		
	Load Capacity	kg	3000 - 3500		
	Load Center	mm	500		
	Power Type	Diesel			
	Control Type	Sit Down Rider Type			
	Tyre Type	Front / Rear	Pneumatic		
Wheels (x = driven)	Front / Rear	2x / 2			
Dimensions & Weight	Maximum Fork Height		mm	3000	
	Free Lift		mm	305	
	Fork Size	L x W x T	mm	1070 x 125 x 45	
	Tilt Angle	Fwd / Bwd	deg	6 / 12	
	Length to Fork Face		mm	2693	
	Overall Width		mm	1225	
	Mast Height Fork Lowered		mm	2070	
	Overhead Height Fork Raised		mm	4250	
	Overhead Guard Height		mm	2090	
	Turning Radius (Outside)		mm	2400	
	Load Distance (Centerline of front axle to front face of forks)		mm	498	
	Basic Right Angle Stacking Aisle Width (Add load length and clearance)		mm	2898	
	Total weight		kg	4200	
Performance	Speeds	Travel Max. (Fwd / Rvs)	With Load	km/h	15.3
			Without Load	km/h	16.5
		Lifting	With Load	mm/s	335
			Without Load	mm/s	385
		Lowering	With Load	mm/s	450
			Without Load	mm/s	500
	Max. Drawbar Pull	With/Without Load	kg	1500 / 1000	
Max. Gradeability	With/Without Load	%(tanθ)	18/20		
Chassis	Number		Front / Rear	2/2	
	Tyre	Size	Front	28 x 9 - 15 - 12 PR	
			Rear	6.50 - 10 - 10 PR	
	Wheel Base		mm	1700	
	Tread	Front		mm	1000
		Rear		mm	970
	Ground Clearance	At Lower Point (Mast)		mm	135
Frame		mm	140		
Brake	Service		Hydraulic - Foot Pedal		
	Parking		Mechanical - Hand Lever		
Battery	Voltage / Capacity		V/Ah	12 / 88	
Internal Combustion Engine	Modal		Millat D3.1524		
	Rated Horsepower / rpm		ps	50 / 2250	
	Rated Torque / rpm		Nm	172 / 1350	
	Number of Cylinders		3		
	Displacement		l	2.5	
	Fuel Tank Capacity		l	50	
Transmission	Number of Speed Fwd/Rvs - Type		2 - 2 Manual Shift		
Operating Pressure	For Attachment		kg/cm ²	175	

HELI
Anhui Heli Co., Ltd. China.

	Lahore	Karachi	Islamabad	Multan
Phone	37911021-25	34553752	2271470	6537371
	111-200-786	111-200-786	111-200-786	
Fax	37925835	34556321	2270693	6539271
	37924166			



MILLAT TRACTORS LIMITED
9 Sheikhpura Road, Shahdara, Lahore

Fax: +92-42-7924166, 7925835, E-mail: info@millat.com.pk, ipd@millat.com.pk

Millat Forklift Truck

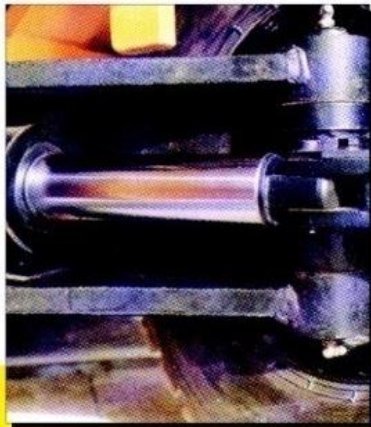
Model FD30M1



Standard Equipment

- ✓ Wide view mast
- ✓ Forks
- ✓ J-Lug long life tyres

- ✓ Retaining rollers
- ✓ Overhead guard
- ✓ Semi-bucket seat
- ✓ Oil bath air cleaner
- ✓ Toggle type parking brake lever
- ✓ Lift and tilt levers
- ✓ 2-spool control valve with pressure relief valve
- ✓ Dipstick for hydraulic oil
- ✓ Return hydraulic filter
- ✓ Lift lock valve
- ✓ Lift circuit cut-off valve
- ✓ Halogen head lights
- ✓ Rear combination lights
- ✓ Back-up lamp
- ✓ Electric horn
- ✓ Deluxe floor mat
- ✓ Headguard canvas
- ✓ Cylinder type bonnet stay
- ✓ Overhead air intake
- ✓ Turn signal lights
- ✓ Lamp guard
- ✓ Full hydrostatic power steering
- ✓ Hour meter
- ✓ Water temperature gauge
- ✓ Fuel gauge
- ✓ Engine oil pressure warning indicator
- ✓ Charge indicator
- ✓ Hand grip
- ✓ Pull to stop knob
- ✓ Operator tool kit
- ✓ Back-up buzzer
- ✓ Tilt adjustable steering post
- ✓ Asbestos free brakes



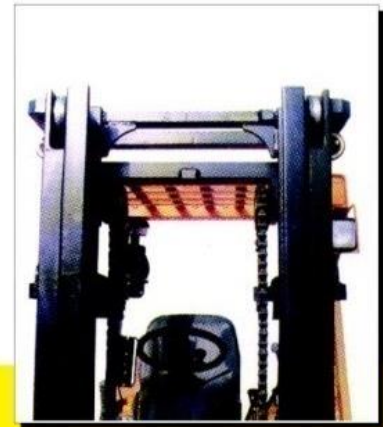
Superior Steering Axle

The steering axle with a horizontally positioned hydraulic cylinder adopted. The steering axle features the compact structure and easy maintenance.



Engine

Millat D3.1524 diesel engine.
Rated power 50 HP/2250 rpm.
Rated torque 172 Nm/1350 rpm.



Wide Visible Mast

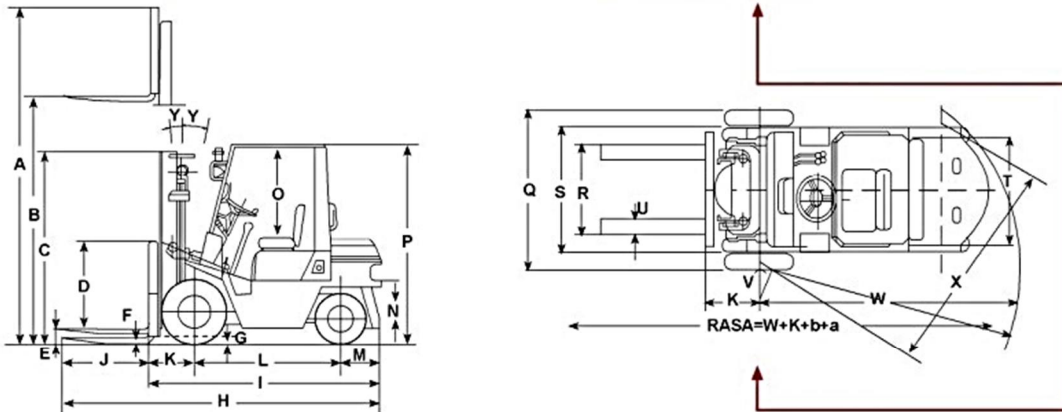
Millat Forklift is fitted with wide view mast that gives the operator greater visibility to the front.

Note

Millat products and specifications are subject to improvement and change without notice. Millat Forklift Truck is equipped with certain safety devices as standard equipment. Millat will not assume any liability for damage arising by removal of any safety device from any of its products.



RASA = Right Angle Stacking Aisle
b = Load Length
a = Clearance



Standard Dimensions (Front Single Tyre)

Model		FD30M1
		mm
A.	Overall height, fork raised (with backrest)	4250
B.	Max. fork height	3000
C.	Overall height, fork lowered (upright)	2070
D.	Backrest height (from upper face of forks)	1220
E.	Free lift	305
F.	Fork thickness	45
G.	Min. under-clearance (bottom of mast)	135
H.	Overall length (with forks)	3763
I.	Overall length (without forks)	2693
J.	Fork length	1070
K.	Fork overhang	498
L.	Wheel base	1700
M.	Rear overhang	495
N.	Coupler height	310
O.	Overhead guard clearance (from face of seat)	830-850
P.	Overall height (overhead guard)	2090
Q.	Overall width	1225
R.	Lateral fork adjustment (outside of fork)	250-1090
S.	Tread (front)	1000
T.	Tread (rear)	970
U.	Fork width	125
V.	Inside turning radius	200
W.	Outside turning radius	2400
X.	Min. Intersecting aisle	2110
Y.	Tilting angles (forward-backward)	6° - 12°

Millat Tractors reserves the right to change the specifications without prior notice.

Note

Capacities shown are computed with upright in vertical position. Load centers are determined for front face of forks. Capacities are based on a 1000 mm cube load configuration with the center of gravity at the true center of the cube, and standard forks. Truck capacities with upright in forward tilt position will be less. Long forks, and unusually wide or loads may also reduce capacity.

